

Material List:

- 1 Piece 3/4" Plywood - Size determined by user
- 1 Piece 1/4" Plywood - Size determined by user
- 1 12" Diameter Lazy Susan Bearing
- 1 Roll 1/8" Thick Cork
- 1 Jar Rubber Cement

(Lazy Susan Bearing and Cork may be purchased at most hardware stores and lumber yards)

Project Name: Desktop Lazy Susan

Drawing Name: Lazy Susan Assembly

Submitted By: J. Weisman

Scale: Not to scale

Date: 10.30.13

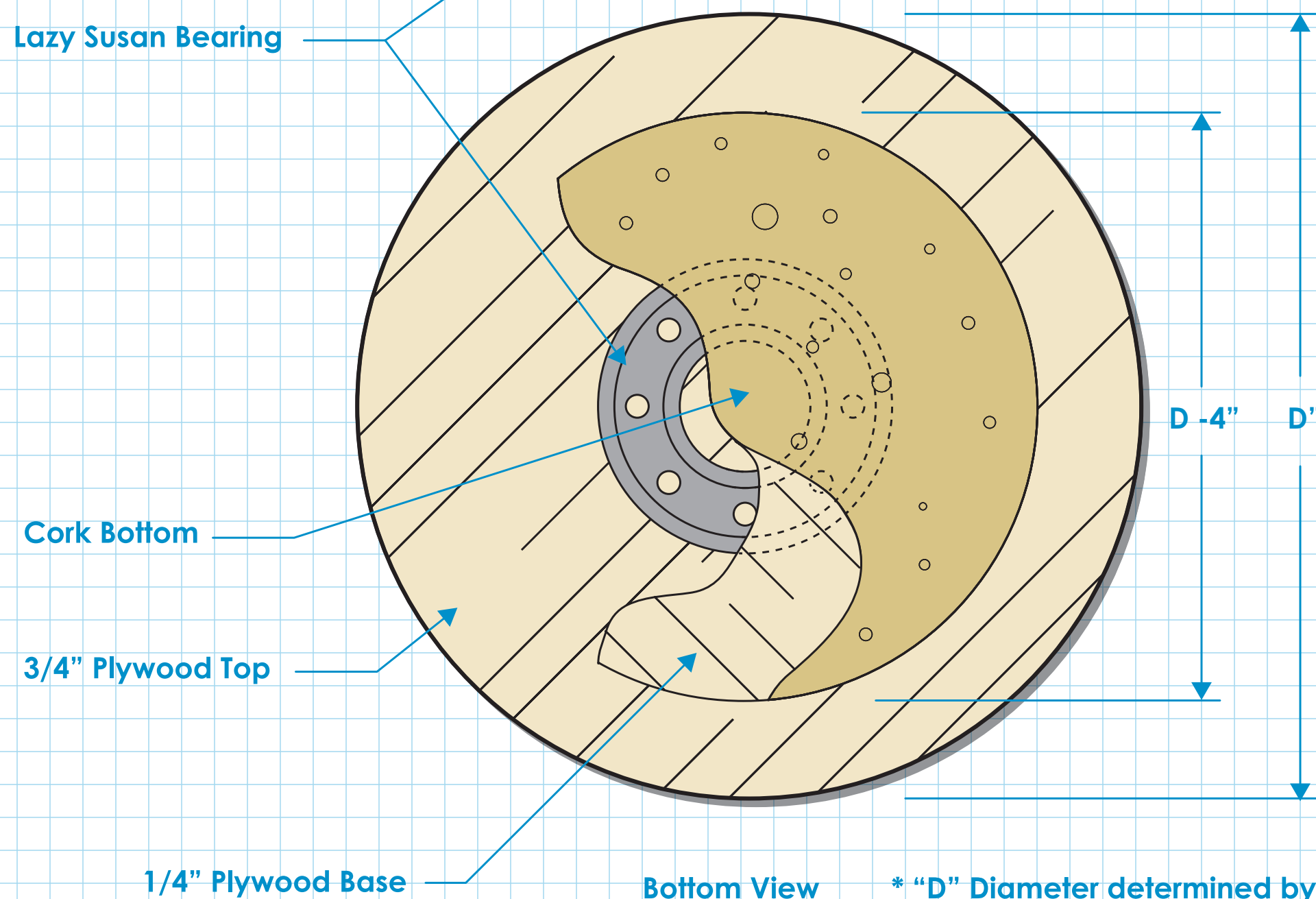
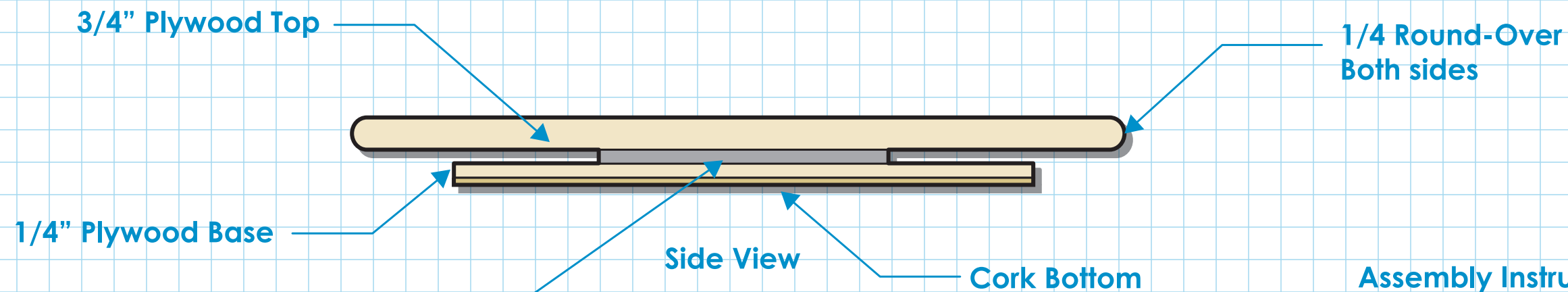
Sheet #: 1/2

Rev: A



ASSISTIVE TECHNOLOGY SOLUTIONS

ATSolutions.org



Assembly Instructions:

1. Determine dimension "D". "D" will be the finished diameter of the Lazy Susan.
2. Layour Dimension "D" on 3/4" plywood.
3. Layout dimension "D" minus 4" on 1/4" plywood.
4. Cut Top and Base.
5. Round-over both sides of Top as shown.
6. Sand and apply finish to Top and Base as desired.
7. Attach Lazy Susan Bearing to Base following instructions from bearing manufacturer.
8. Attach Lazy Susan to Top following instructions from bearing manufacturer.
9. Cut and attach Cork Sheet to bottom of base using Rubber Cement

**** Instead of plywood base, the Lazy Susan Bearing may be attached directly to desk.**

* "D" Diameter determined by user

Project Name: Desktop Lazy Susan

Drawing Name: Lazy Susan Details

Submitted By: J. Weisman

Scale: Not to scale

Date: 10.30.13

Sheet #: 2/2

Rev: A