

Suggested Uses:

This device works well when folding manila envelopes lengthwise for insertion into a plastic bag. Envelopes fall flat after insertion. Materials can be folded using only one hand.

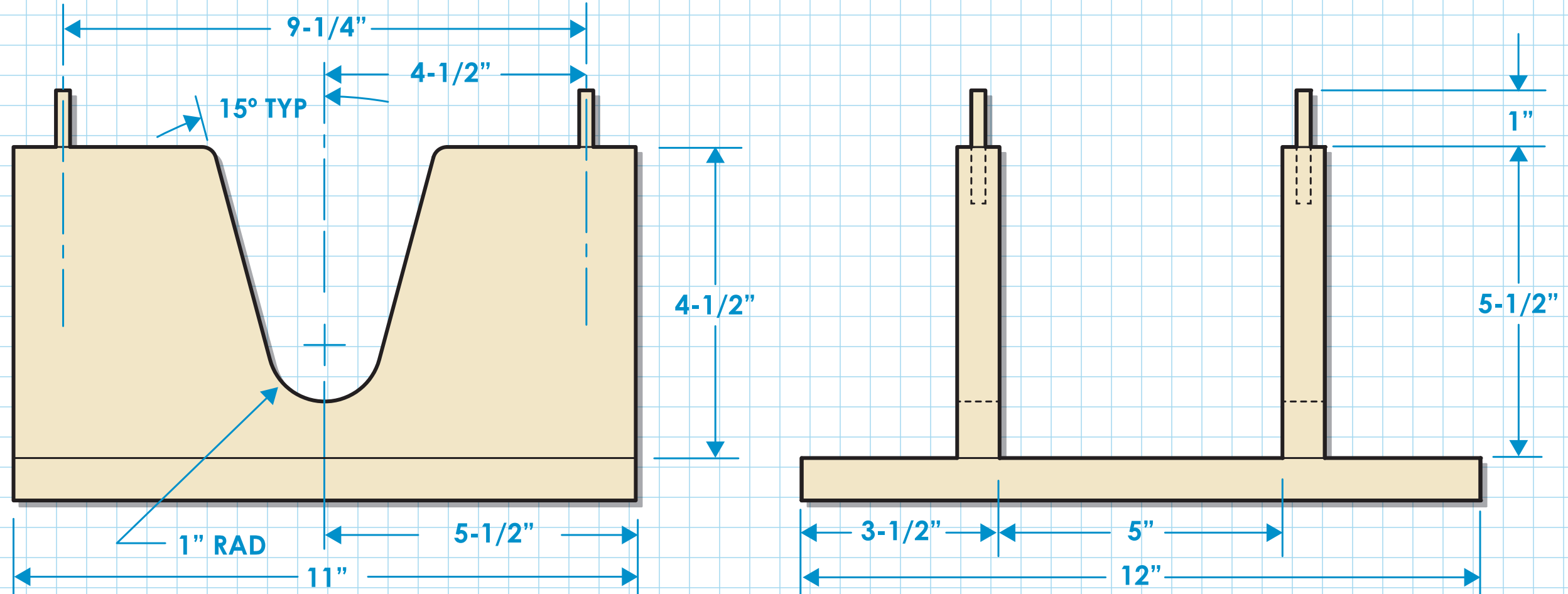
1. Lay materials between dowels.
2. Press materials down into valley.
3. Grab top edges of materials to remove.
4. Place material into bag.

Material List:

- (1) 3/4" x 12" x 24" plywood or equivalent
- (4) 1/4" DIA x 2" long wood dowels
- Wood screws
- Wood glue

Notes:

Assemble with glue and screws.
Dimensions may be altered to accommodate other sizes of materials



Project Name: Material folder

Drawing Name: Photo and Instructions

Submitted By: J. Weisman

Scale: Not to scale

Date: 11.5.13

Sheet #: 1/1

Rev: A