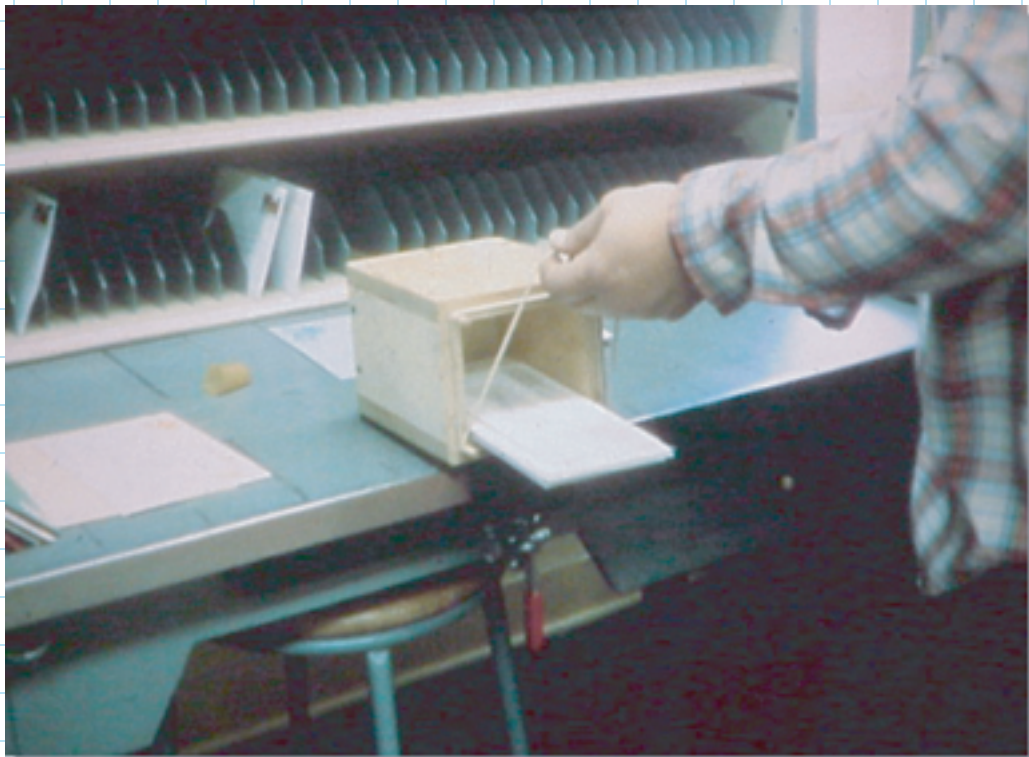




Suggested Use:

- Use screws to attach fixture at edge of desktop
- Stretch bands one at a time around dowels
- Insert materials to be banded into box
- Release one band at a time to from dowels to bind



Project Name: Rubber Band Applicator

Drawing Name: Finished Photographs

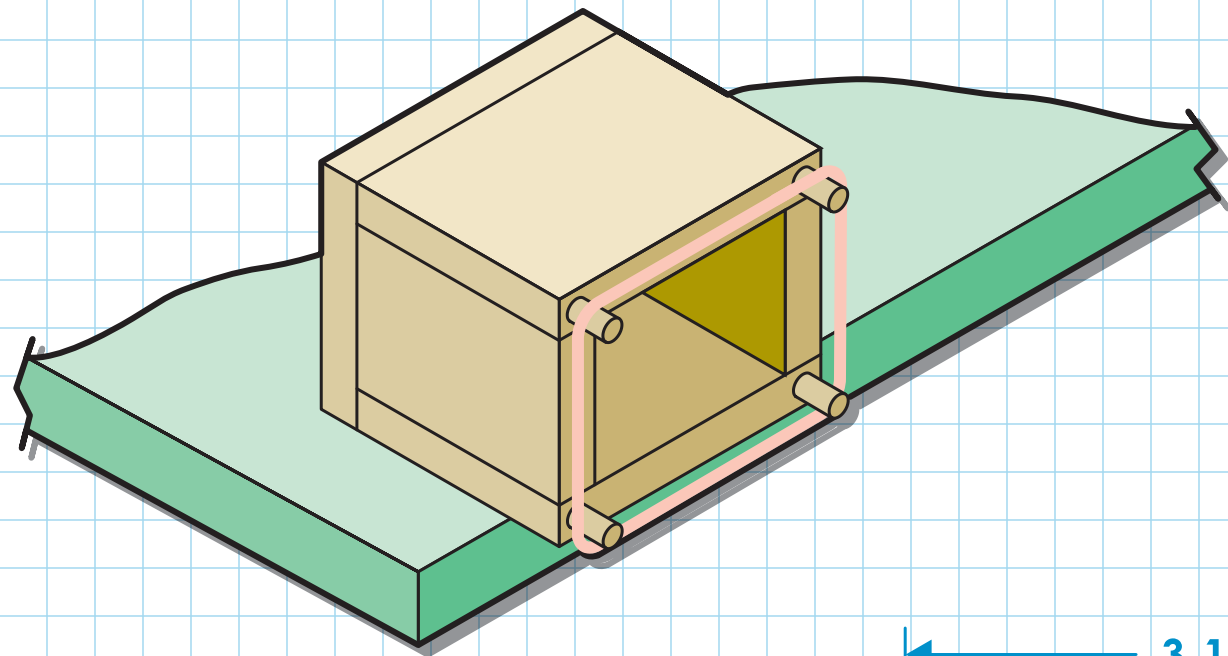
Submitted By: J. Weisman

Scale: Not to scale

Date: 10.30.13

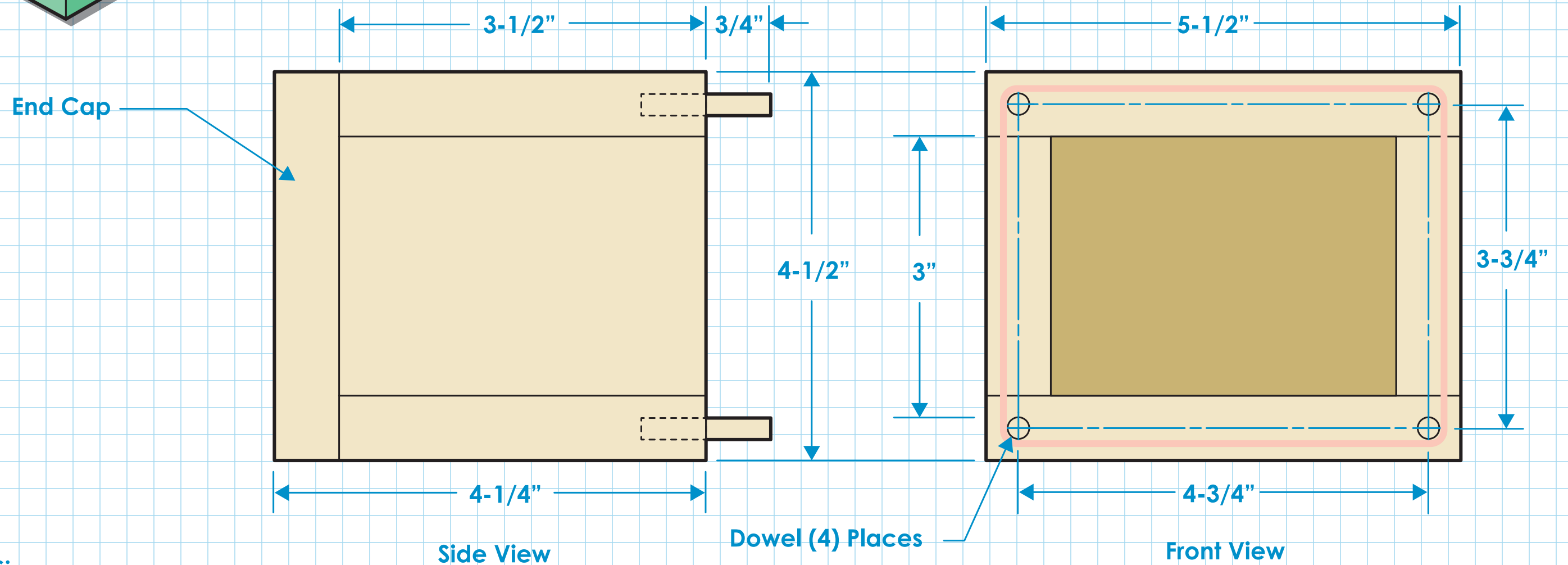
Sheet #: 1/2

Rev: A



Material List:

- (1) 3/4" x 6" x 24" plywood or dimensional lumber
- (4) 1/4" x 1-1/2" long wooden dowels
- Wood screws
- Wood glue



Notes:

- Assemble with Glue and Screws
- Box dimensions may be changed to accomodate other sizes of materials

Project Name: Rubber Band Applicator

Drawing Name: Applicator Assembly

Submitted By: J. Weisman

Scale: Not to scale

Date: 10.30.13

Sheet #: 2/2

Rev: A