

Assembly Instructions:

1. Obtain materials described on sheet 2
2. Determine "L" as shown on sheet 3. Length "L" is determined by measuring the distance from the floor to the elbow of the person that will be using the standing frame.
3. Layout and cut pieces from plywood as shown on sheets 3 through 5.
4. Round-over edges listed below with a 1/4" round-over bit.
 - Base - top edge of all sides.
 - Front - both edges of each side foot opening and chest tab.
 - Sides - both edges of the longest side (rear side).
 - Gussets - both edges of the longest side.
 - Top - both edges of all sides.

CAUTION: Do not round-over any edges that join other pieces.
5. Make Foot Stop and Knee Supports as shown on sheet 4.
6. Sand all pieces as desired.
7. Assemble plywood parts following page 1 layout using wood glue and screws
8. Determine and mark position of Knee Supports and Foot Stop.
9. Attach Knee Supports.
10. Cut foam pieces as shown on page 5.
11. Cover foam with vinyl using spray adhesive for foam.
12. Stain and apply finish as desired.
13. Using spray adhesive, attach knee pads, arm pads and chest pad to frame.
14. Attach fabric strap to standing frame as required to provide support while standing.

Project Name: Standing Frame

Drawing Name: Standing Frame Assy

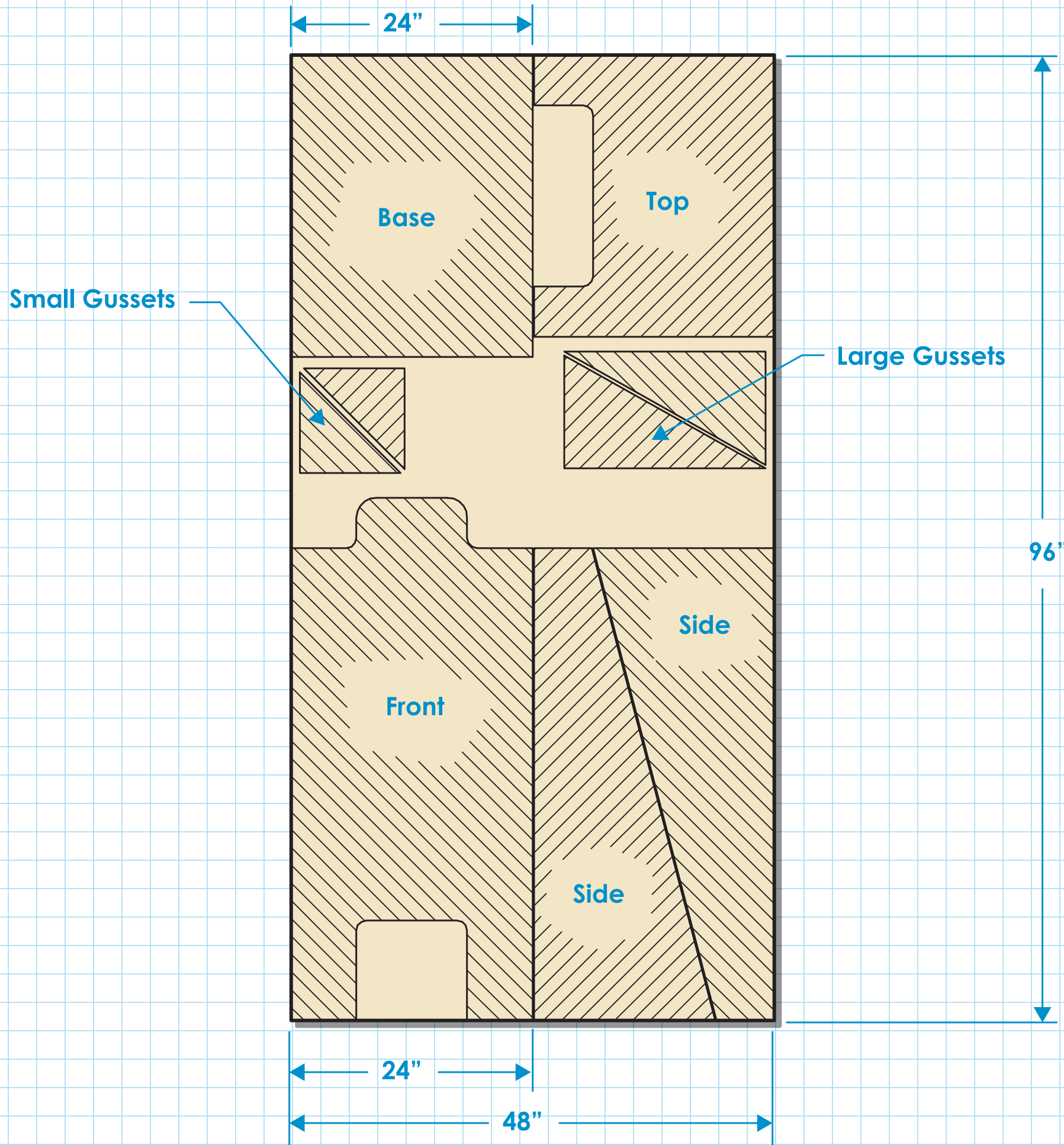
Submitted By: J. Weisman

Scale: Not to scale

Date: 10.29.13

Sheet #: 1/5

Rev: A



- Material List:**
- (1) Sheet 4'x8'x3/4" Lumber Core Plywood
 - (1) 2"x4"x4' #2 or better
 - 1 lb. 1-5/8" long Multipurpose Wood Screws
 - 1 sqft 1/4" Foam
 - 3 sqft Vinyl
 - 1-1/2" x 3' Fabric Strap with Buckle
 - Wood Glue
 - Spray Adhesive (3M FoamFast 74 or equivalent)

Project Name: Standing Frame

Drawing Name: Part Layout

Submitted By: J. Weisman

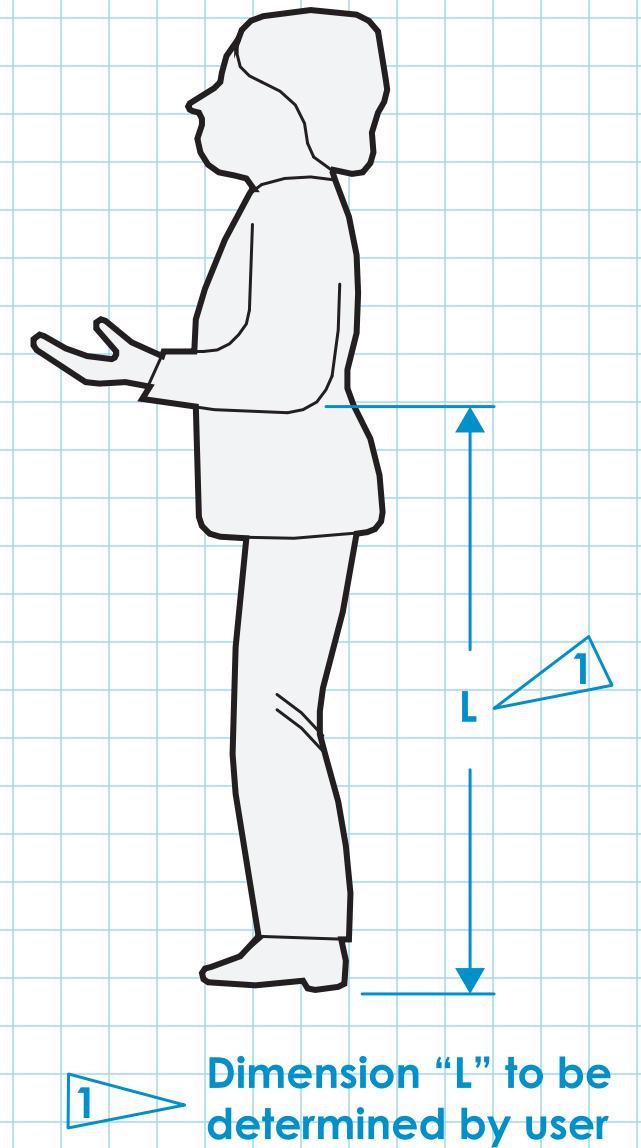
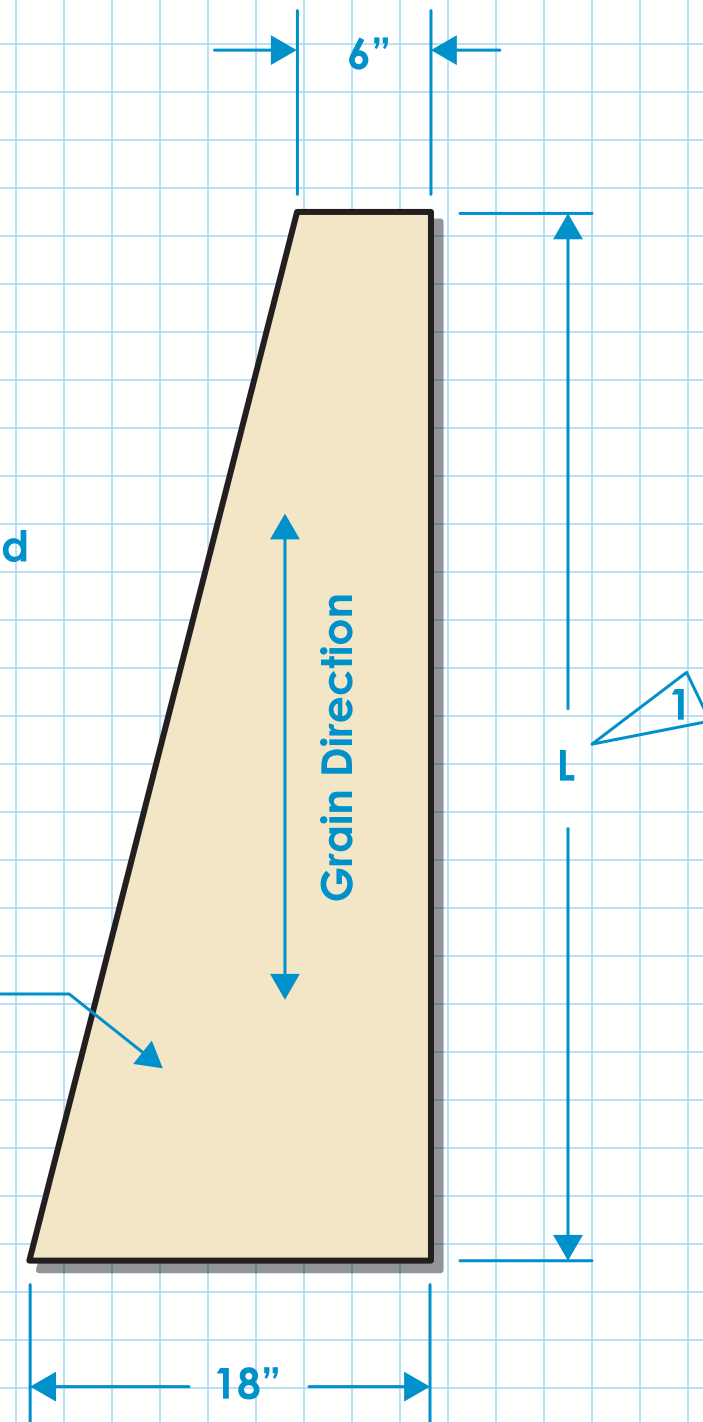
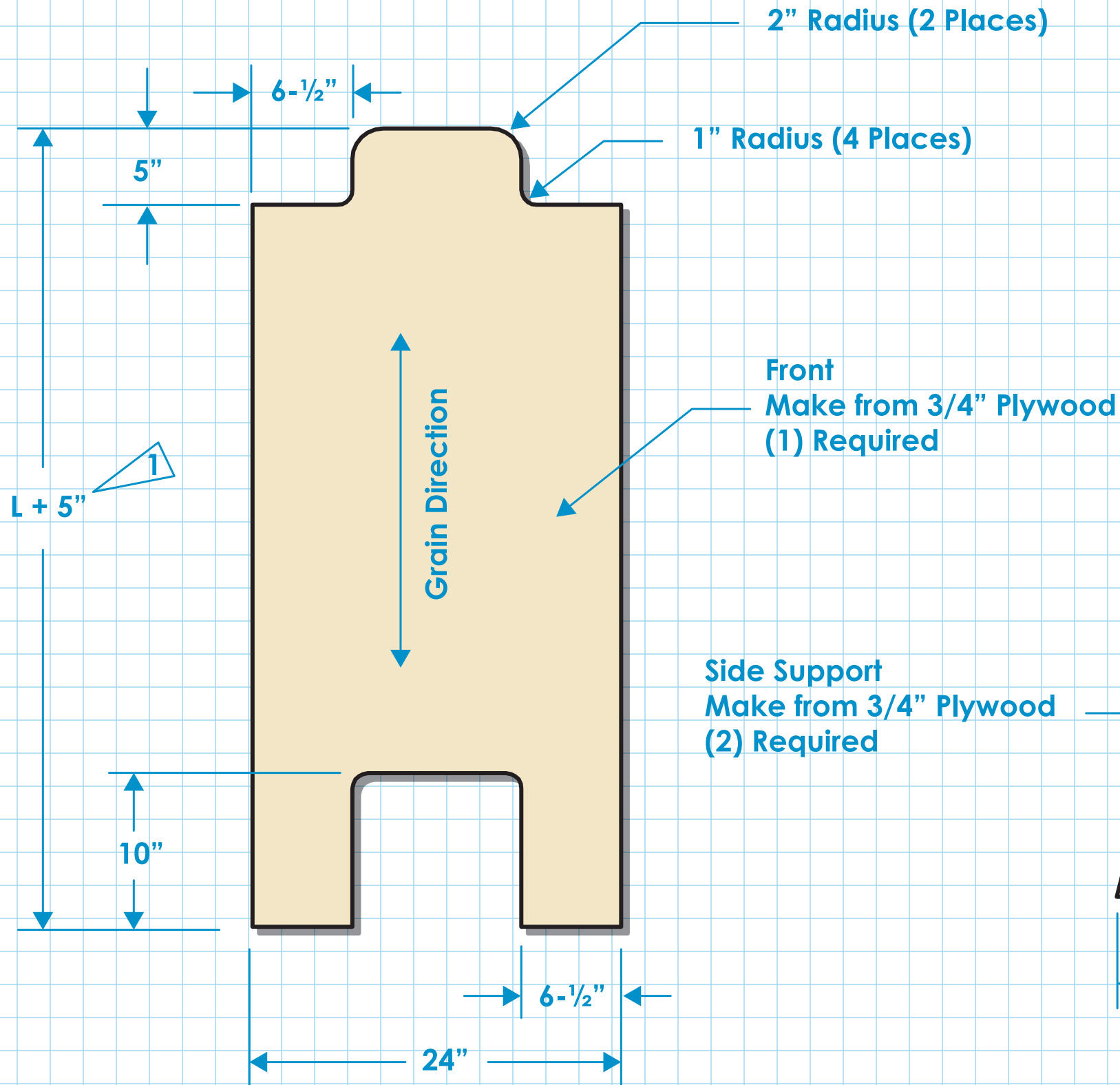
Scale: Not to scale

Date: 10.29.13

Sheet #: 2/5

Rev: A





Project Name: Standing Frame

Drawing Name: Detail Parts Sheet 1

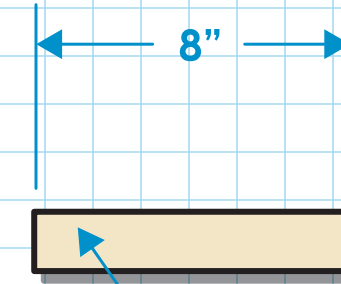
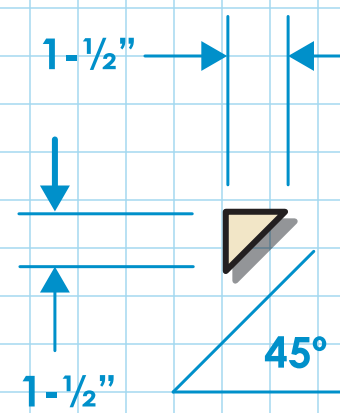
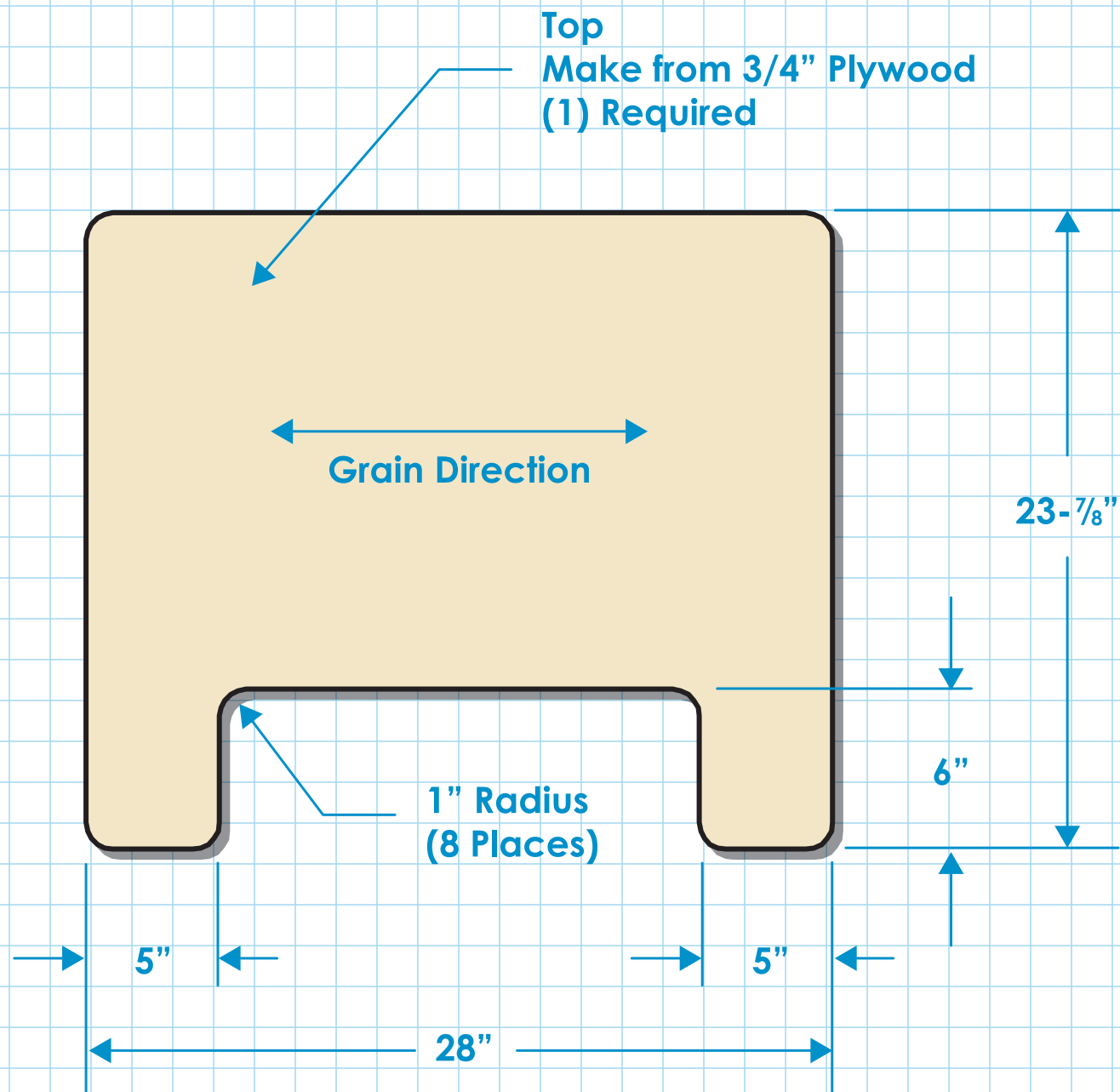
Submitted By: J. Weisman

Scale: Not to scale

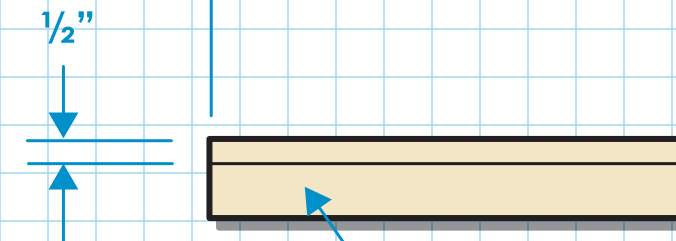
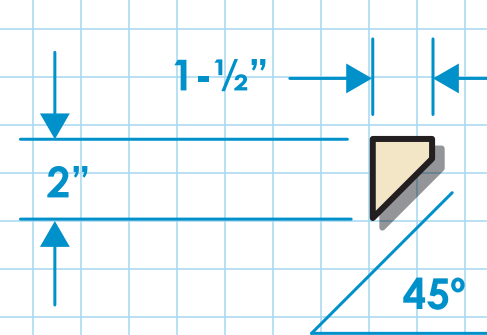
Date: 10.29.13

Sheet #: 3/5

Rev: A



Knee Support
Make From 2"x4"
(4) Required



Foot Stop
Make from 2"x4"
(1) Required

Project Name: Standing Frame

Drawing Name: Detail Parts Sheet 2

Submitted By: J. Weisman

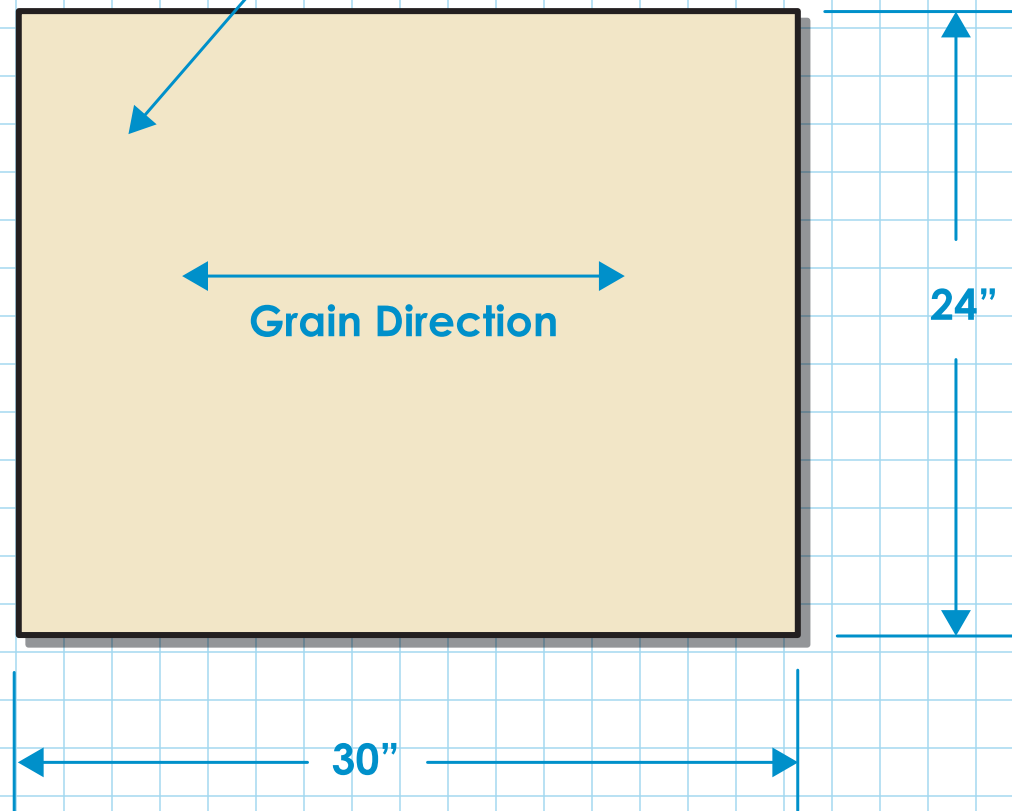
Scale: Not to scale

Date: 10.29.13

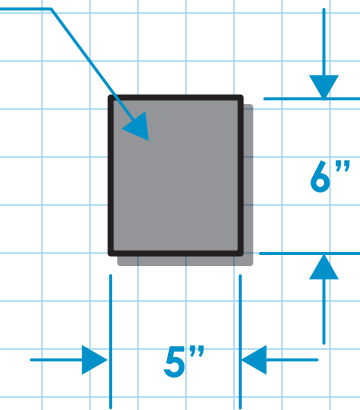
Sheet #: 4/5

Rev: A

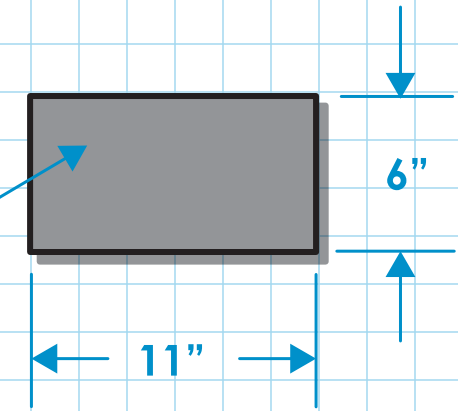
Base
Make from 3/4" Plywood
(1) Required



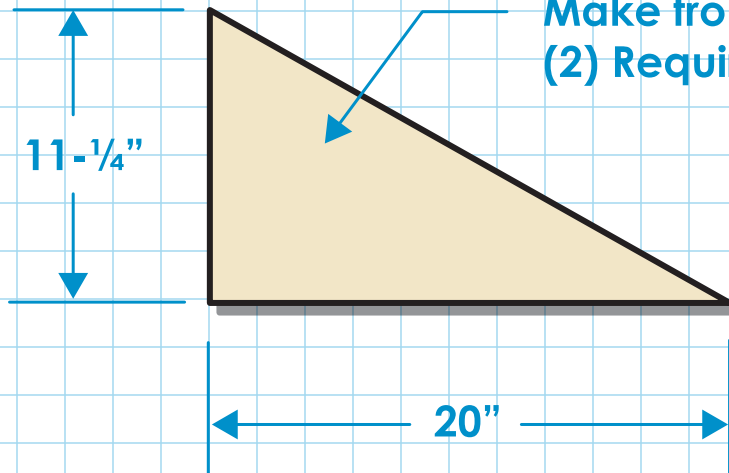
Arm Pad
Make from 1/4" Foam
Cover with Vinyl
(2) Required



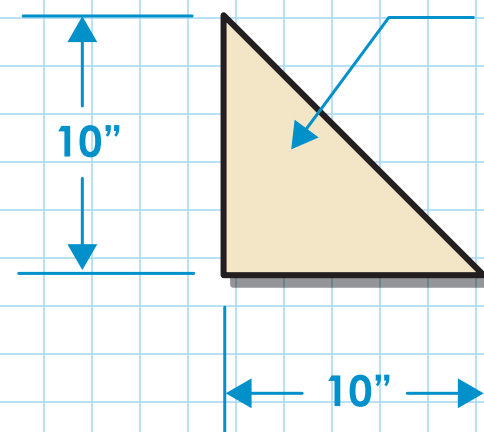
Arm Pad
Make from 1/4" Foam
Cover with Vinyl
(2) Required



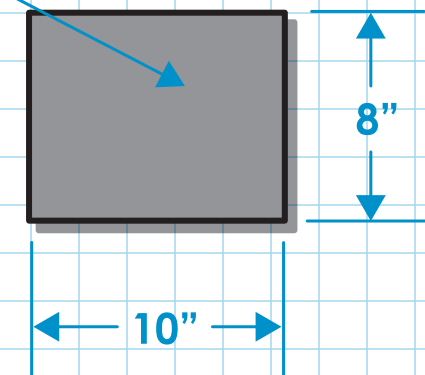
Large Gusset
Make from 3/4" Plywood
(2) Required



Small Gusset
Make from 3/4" Plywood
(2) Required



Knee Pad
Make from 1/4" Foam
Cover with Vinyl
(2) Required



Project Name: Standing Frame

Drawing Name: Detail Parts Sheet 3

Submitted By: J. Weisman

Scale: Not to scale

Date: 10.29.13

Sheet #: 5/5

Rev: A