

Instructions:

Inner tray (paper tray) nests inside the outer tray as shown. Attach tray to table if necessary.

A manual or an electric stapler may be used. Position stapler such that the stack of collated papers move smoothly into the stapler throat as the inner tray is pushed forward. It may be necessary to shim under stapler to raise it, or remove material beneath stapler to lower it, to make the paper align with the throat of the stapler. Fasten stapler securely to outer tray after locating it in the correct position. Nylon tie-wraps or screws may work well for attachment.

If an electric stapler is used, stapling occurs automatically when inner tray is pushed forward. If a manual stapler is used, operator hits the stapler after the inner tray has been pushed forward.

Project Name: Stapling Fixture

Drawing Name: Photo and Instructions

Submitted By: J. Weisman

Scale: Not to scale

Date: 10.31.13

Sheet #: 1/3

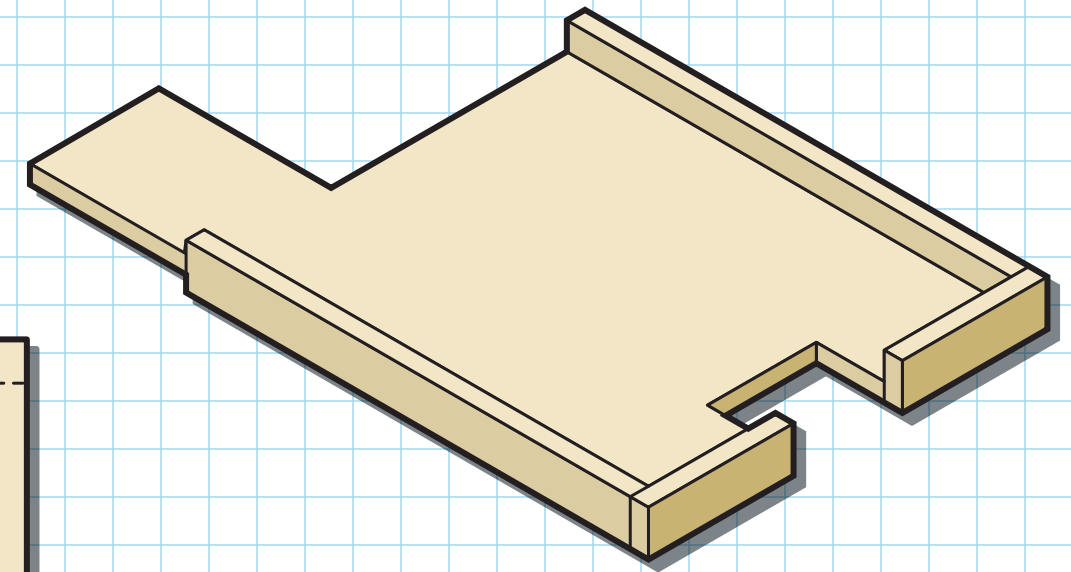
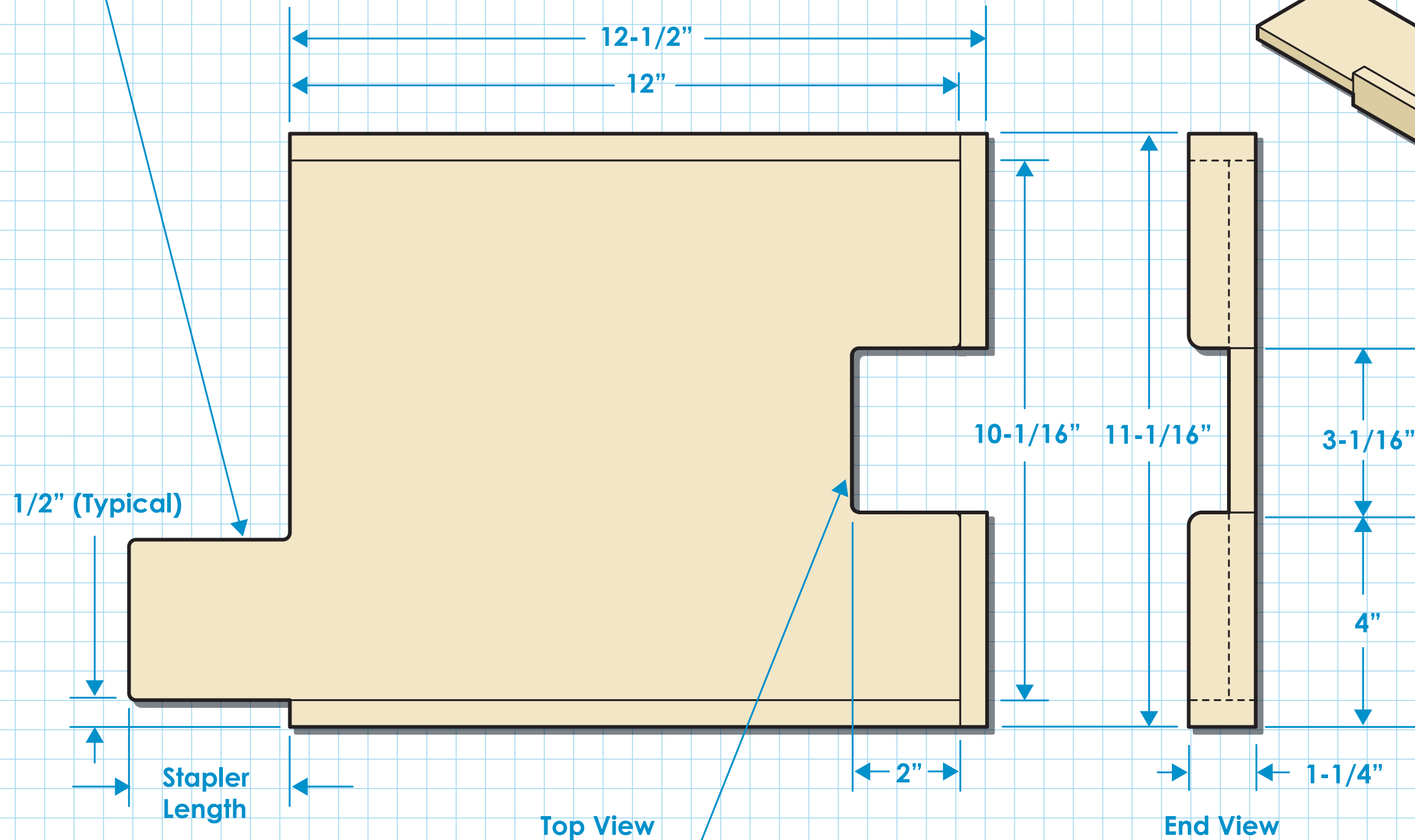
Rev: A



ASSISTIVE TECHNOLOGY SOLUTIONS

ATSolutions.org

Make tab long enough to accomodate stapler chosen



Notes:
Assemble with glue and screws

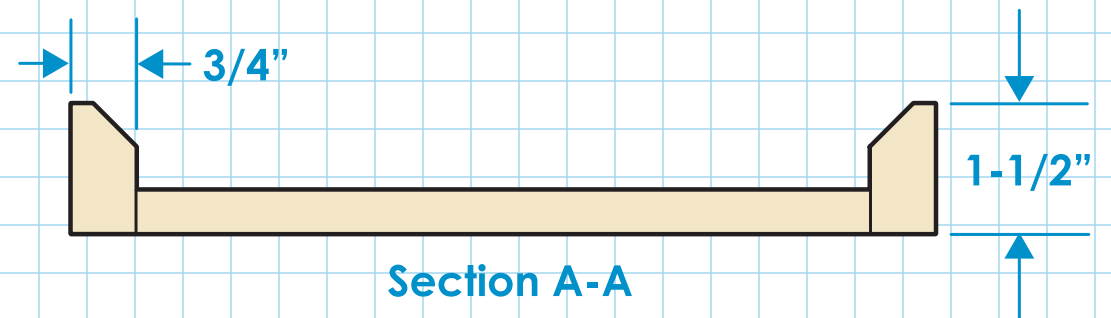
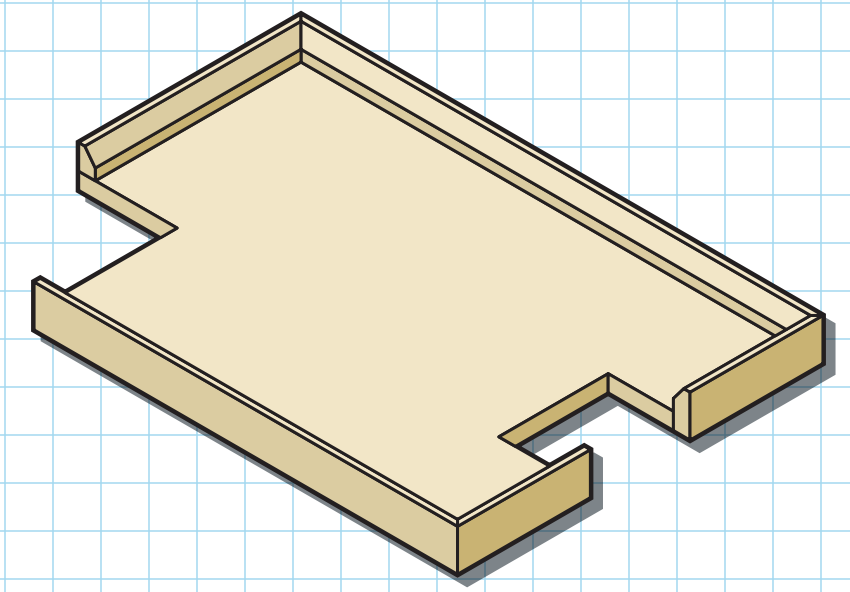
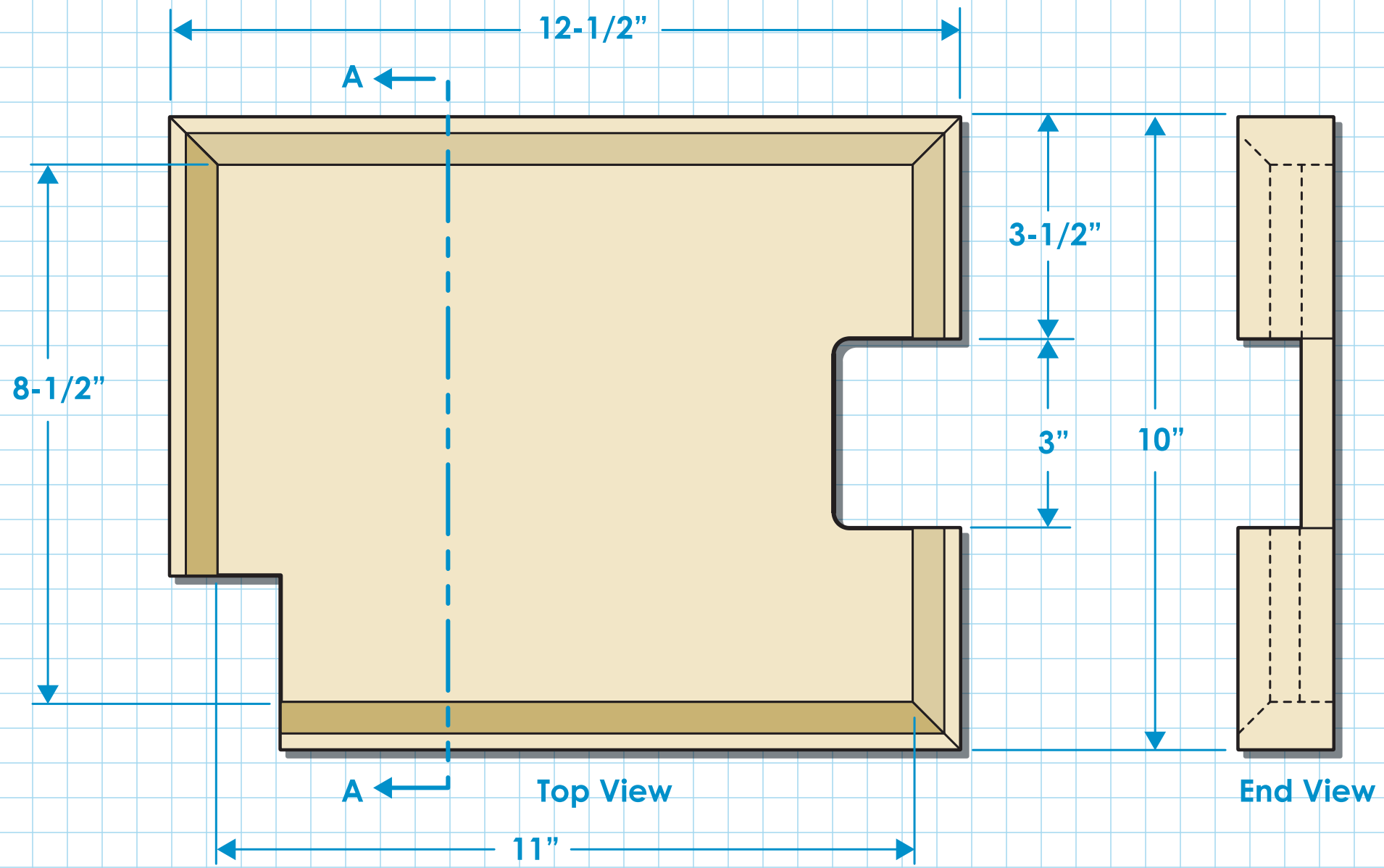
Material List:


- (1) Manual or electric stapler
- (1) 1/2" x 12" x 36" Plywood or equivalent
- (1) 3/4" x 1-1/2" x 48" Pine board

Project Name: Stapling Fixture

Drawing Name: Outer Tray Assembly
Submitted By: J. Weisman
Scale: Not to scale
Date: 10.31.13

Sheet #: 2/3
Rev: A



Project Name: Stapling Fixture		 ASSISTIVE TECHNOLOGY SOLUTIONS ATSolutions.org
Drawing Name: Inner Tray Assembly		
Submitted By: J. Weisman	Sheet #: 3/3	
Scale: Not to scale	Rev: A	
Date: 10.31.13		